

1 2 3 4 5 6 7 8

A

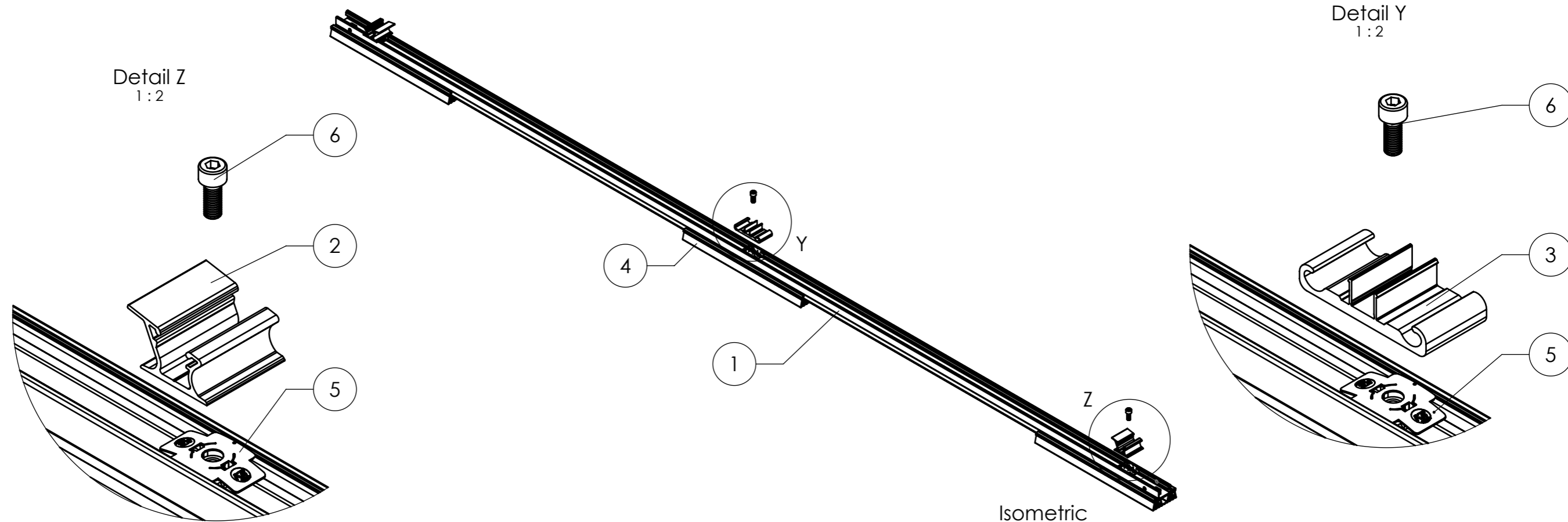
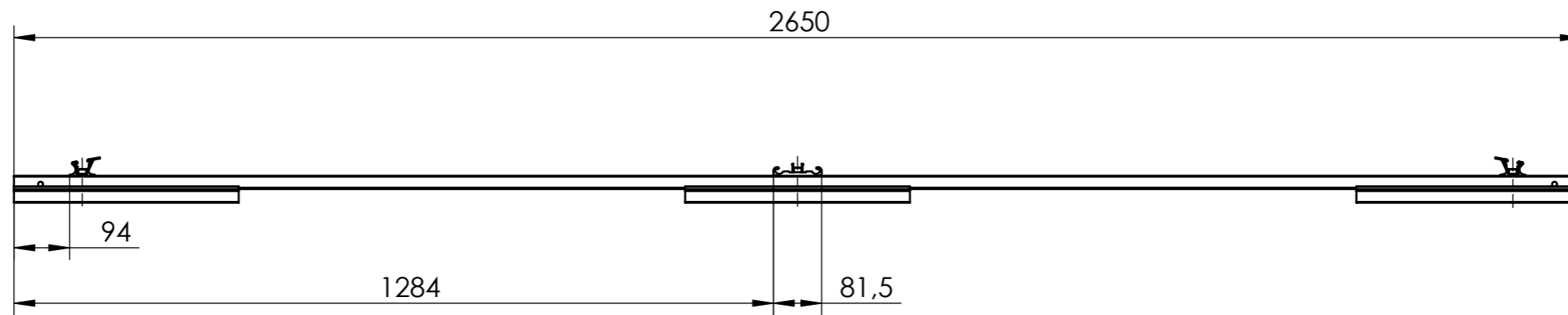
B

C

D

E

F



Detail Z
1:2

Detail Y
1:2

Isometric

Pos.No.	Designation	Material	Quantity
1	Dome 6 BasicRail Hybrid 2,65 m	EN AW 6063 T66	1
2	Dome 6.10 SD LS	EN AW 6063 T66	2
3	Dome 6.10 MidPlate LS	EN AW 6063 T66	1
4	Dome Mat S 380	EPDM 70 Shore A	3
5	MK2	TPC/ 1.4301	3
alternative	MK2 Alu	Alu / TPC	3
6	Socket Head Bolt serrated - sim. ISO 4762 - M8x20	A2-70	3



K2 Systems GmbH
Haldenstr. 1
71272 Renningen
Germany
+49 7159 42059-0

Designation:		Data sheet D-Dome 6.10 Base Set LS Subassembly	
Item no.:	2004714	A3	
Drawing no.:	07-116-01	All dimensions in mm	
		Sheet 1 of 1	

	Name	Date	Material:
Designed	M.Schuler	09.12.2024	see table
Approved	S. Frey	29.07.2025	Surface: -
Last change	M.Schuler	29.07.2025	Weight: ca. 3073.4 g/pc Scale: 1:10

This drawing is the sole property of K2 Systems GmbH. It is protected by copyright and may only be copied, reproduced or distributed to a third party with explicit permission!

1 2 3 4